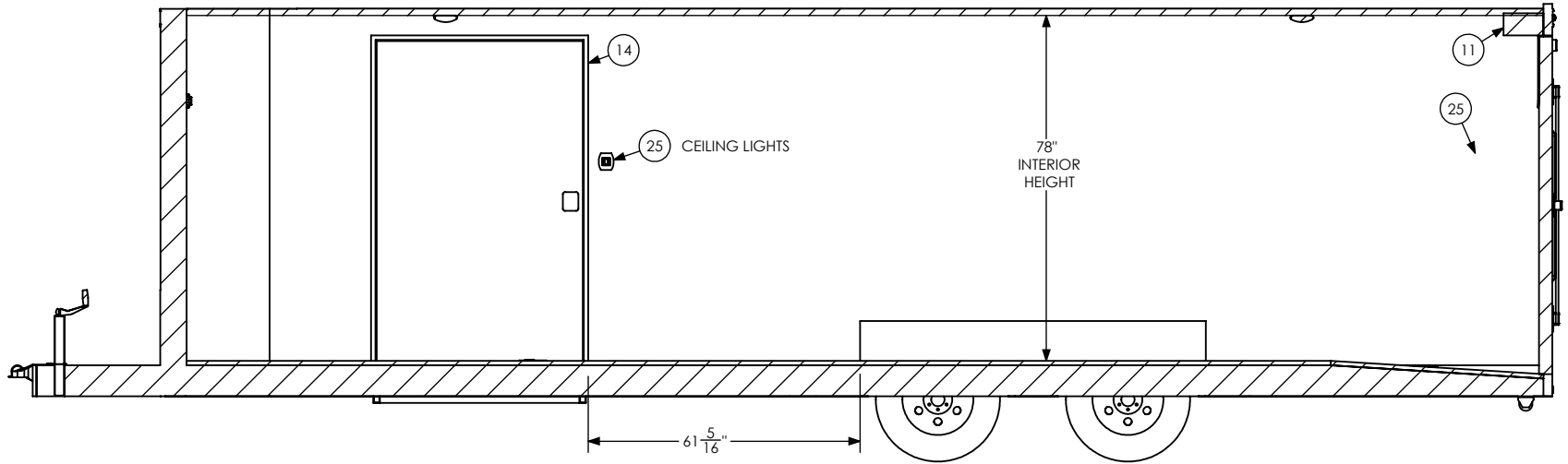
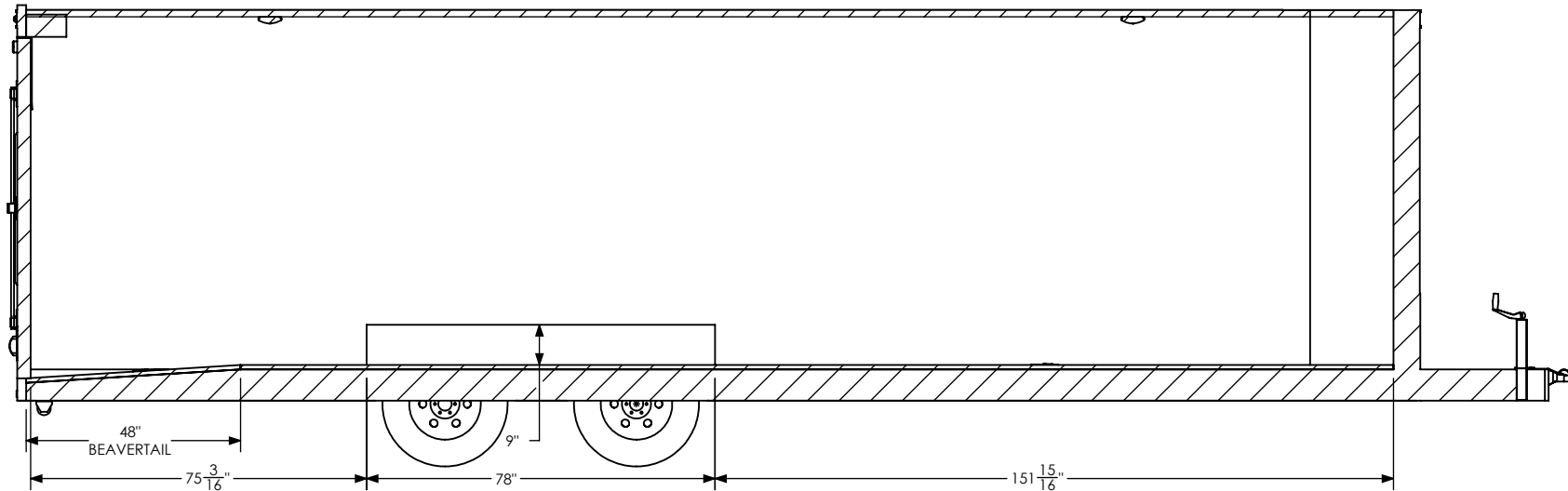


SCALE: 1:46	NAME	DATE	<i>inTech Trailers</i> WRIGHT WAY - 35268 WBTA8.5x24+2TA3 FLOORPLAN		
DRAWN	JLH	02/26/25			
ALL DIMENSIONS ARE IN INCHES AND ARE NOMINAL. DIMENSIONS ON ACTUAL TRAILER MAY VARY FROM WHAT IS SHOWN ON PRINT BASED ON ACTUAL FRAMING AND TRAILER STRUCTURE. UNLESS NOTED AS CRITICAL.			DWG. NO. BTA8.5x24TA Trailer Assembly - 35268	SHEET 2 OF 5	REV. A

PROPRIETARY AND CONFIDENTIAL
THE INFORMATION CONTAINED IN THIS DRAWING IS THE SOLE PROPERTY OF INTECH TRAILERS. ANY REPRODUCTION IN PART OR AS A WHOLE WITHOUT THE WRITTEN PERMISSION OF INTECH TRAILERS IS PROHIBITED.



INTERIOR CURB SIDE
SECTION A-A



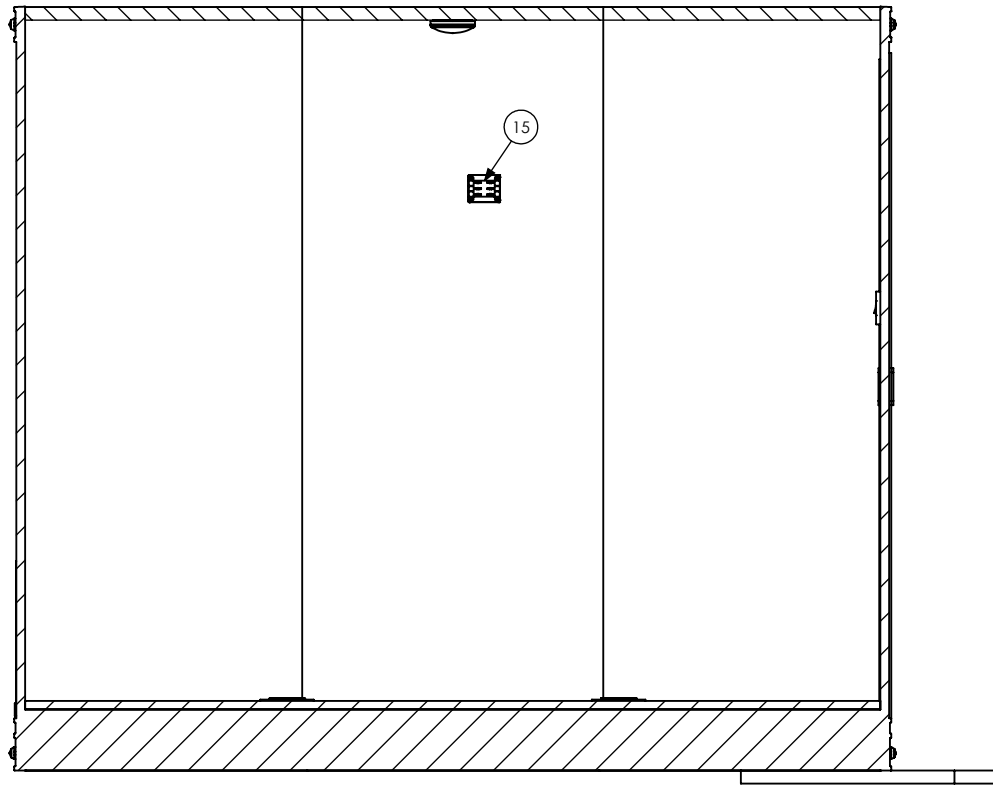
INTERIOR ROAD SIDE
SECTION B-B

SCALE: 1:46	NAME	DATE
DRAWN	JLH	02/26/25

ALL DIMENSIONS ARE IN INCHES AND ARE NOMINAL. DIMENSIONS ON ACTUAL TRAILER MAY VARY FROM WHAT IS SHOWN ON PRINT BASED ON ACTUAL FRAMING AND TRAILER STRUCTURE, UNLESS NOTED AS CRITICAL

PROPRIETARY AND CONFIDENTIAL
THE INFORMATION CONTAINED IN THIS DRAWING IS THE SOLE PROPERTY OF INTECH TRAILERS. ANY REPRODUCTION IN PART OR AS A WHOLE WITHOUT THE WRITTEN PERMISSION OF INTECH TRAILERS IS PROHIBITED.

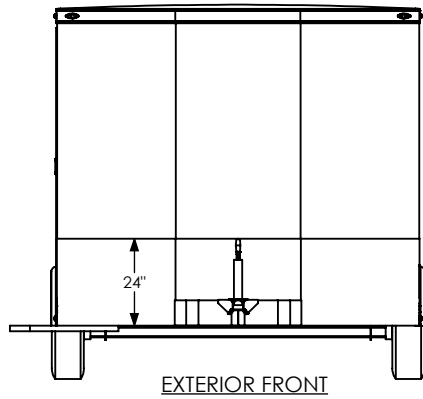
<i>inTech Trailers</i>		
WRIGHT WAY - 35268		
WBTA8.5x24+2TA3		
INTERIOR SIDES		
DWG. NO.	SHEET 3 OF 5	REV.
BTA8.5x24TA Trailer Assembly - 35268		A



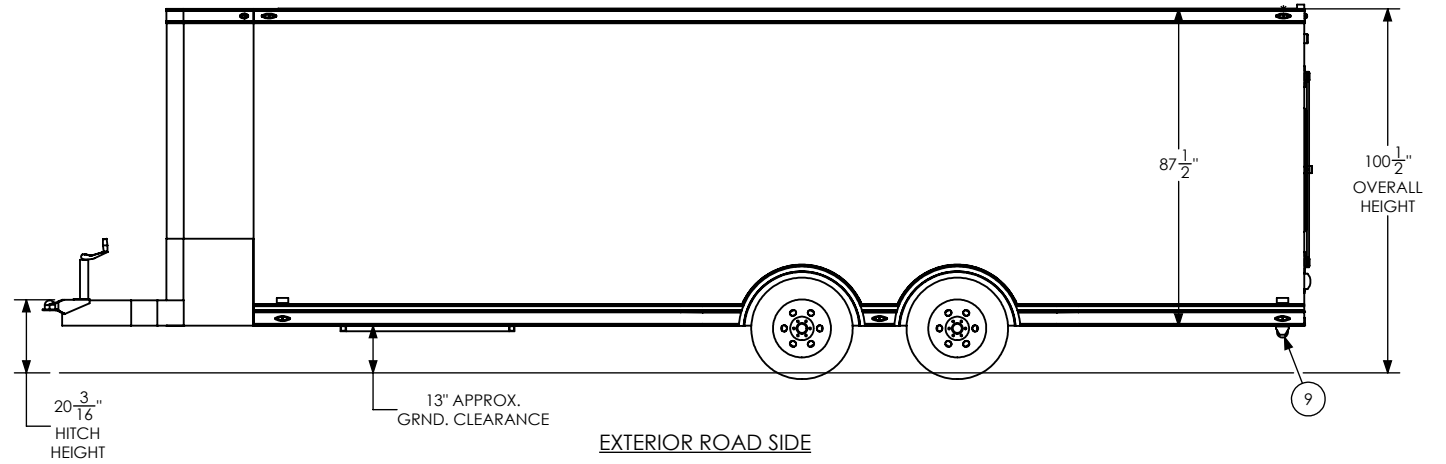
INTERIOR FRONT
SECTION C-C

PROPRIETARY AND CONFIDENTIAL
THE INFORMATION CONTAINED IN THIS DRAWING IS THE SOLE PROPERTY OF INTECH TRAILERS. ANY REPRODUCTION IN PART OR AS A WHOLE WITHOUT THE WRITTEN PERMISSION OF INTECH TRAILERS IS PROHIBITED.

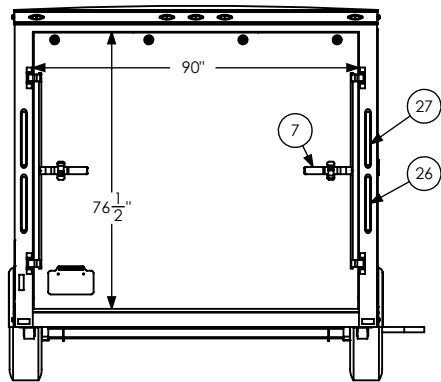
SCALE: 1:22	NAME	DATE	<i>inTech Trailers</i> WRIGHT WAY - 35268 WBTA8.5x24+2TA3 INTERIOR FRONT		
DRAWN	JLH	02/26/25			
ALL DIMENSIONS ARE IN INCHES AND ARE NOMINAL. DIMENSIONS ON ACTUAL TRAILER MAY VARY FROM WHAT IS SHOWN ON PRINT BASED ON ACTUAL FRAMING AND TRAILER STRUCTURE. UNLESS NOTED AS CRITICAL			DWG. NO.	SHEET 4 OF 5	REV.
			BTA8.5x24TA Trailer Assembly - 35268		A



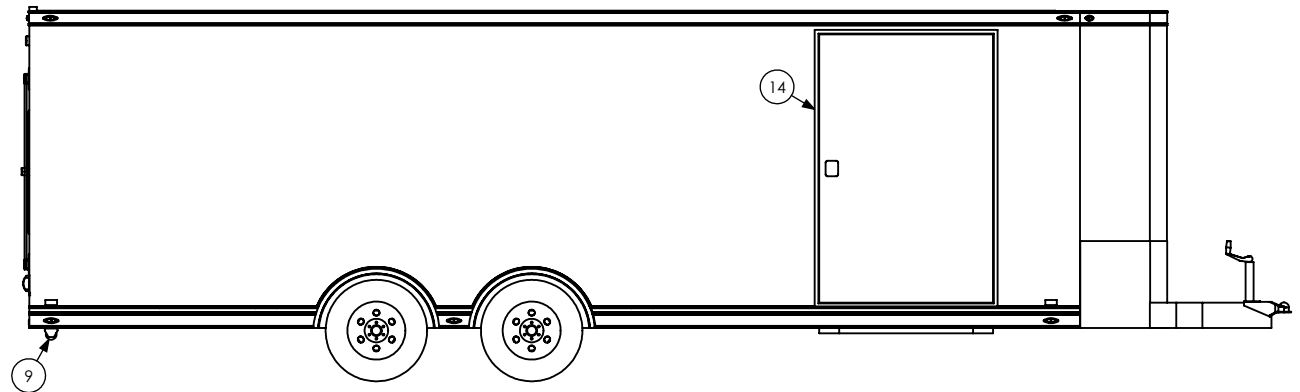
EXTERIOR FRONT



EXTERIOR ROAD SIDE



EXTERIOR REAR



EXTERIOR CURB SIDE

SCALE: 1:53	NAME	DATE	<i>inTech Trailers</i>	
DRAWN	JLH	02/26/25	WRIGHT WAY - 35268	
<small>ALL DIMENSIONS ARE IN INCHES AND ARE NOMINAL. DIMENSIONS ON ACTUAL TRAILER MAY VARY FROM WHAT IS SHOWN ON PRINT BASED ON ACTUAL FRAMING AND TRAILER STRUCTURE. UNLESS NOTED AS CRITICAL</small>			WBTA8.5x24+2TA3	
			EXTERIOR	
DWG. NO.		SHEET 5 OF 5		REV.
BTA8.5x24TA Trailer Assembly - 35268				A

PROPRIETARY AND CONFIDENTIAL
 THE INFORMATION CONTAINED IN THIS DRAWING IS THE SOLE PROPERTY OF INTECH TRAILERS. ANY REPRODUCTION IN PART OR AS A WHOLE WITHOUT THE WRITTEN PERMISSION OF INTECH TRAILERS IS PROHIBITED.